



Aurea Life

SMART - SIMPLE - SECURE

Aimor Smart Analog Dimmer

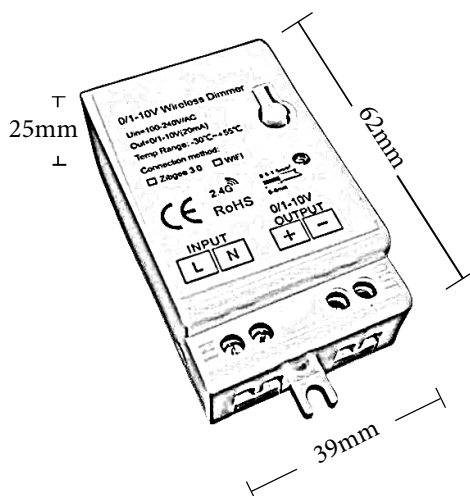
ZigBee IoT 0-10V Dimmer

Smart Aimor analog Smart Zigbee Led dimming controller 0-10V. Compact in size makes easy installation. Dimmer works with Alexa. It needs to be used in conjunction with the 0-10V dimmable driver. The lights can be dimmed, scheduled, triggered, remote access and On-OFF etc through mobile app (Android and Apple). Need to use a gateway to connect to the APP.

SPECIFICATIONS

Input Supply	AC 110-240-50/60Hz
Output voltage	0/1-10V
Wireless frequency	zigbee 3.0
Transmission distance	30 meters
Pairing Button	Yes
Shell Material	Plastic.
Protection Class	IP20
Working Temperature	-20° C to 40C
Size	62x39mmx25mm(LxWxH)
Gateway	Zigbee Gateway support
Application	Aurealife

DIMENSIONS



Ordering

Product code	Finish
AUREA-AD-AIMO-ZIG-W	W-White

FEATURES & BENEFITS

- Smooth dimming curve
- Easy installations
- Remote access
- Schedule and Triggering
- Voice control
- Work Only with Gateway
- Wide operating Temp.
- White finish
- Data memory when power is off
- Stable operations
- Compact size
- Status Indications
- Remote accessing
- Scene programming support
- Rigid and Flame retardant body

Quick Reference

- *App Control For IOS and Android
- *Voice control options
- *Quick control
- *Strong mesh zigbee network
- *High Life span
- *High dimming accuracy.

WARRANTY

1 years Warranty

ACCESSORIES

N/A (No Accessories required)

WIRING INFORMATION

Line and Neutral Required(L&N)
+ & - for dimming signal cable(2 core)

**Refer specification sheet before install and configurations